



75 Ohm Flexible RG302 Coax Cable Single Shielded with Tan FEP Jacket

TECHNICAL DATA SHEET

RG302/U

75 Ohm Flexible RG302 Coax Cable Single Shielded with Tan FEP Jacket

Configuration

Inner Conductor Material and Plating	Copper Clad Steel, Silver
Dielectric Type	PTFE
Shield Materials	Silver Plated Copper Braid
Jacket Material and Color	FEP, Tan

Electrical Specifications

Impedance, Ohms	75
Velocity of Propagation, %	69.5
Maximum Operating Frequency, GHz	3
Capacitance, pF/ft [pF/m]	22 [72.18]
Maximum Operating Voltage, Volts	1,700
Dielectric Withstanding Voltage, Vrms	3,500

Electrical Specifications by Frequency

Frequency 1

Frequency, MHz	400
Attenuation, dB/100ft [dB/100m]	8 [26.25]

Frequency 2

Frequency, GHz	3
Attenuation, dB/100ft [dB/100m]	26 [85.3]

Mechanical Specifications

Temperature

Operating Range, deg C	-55 to +200
------------------------	-------------

Inner Conductor

Number of Strands	1
Material	Copper Clad Steel
Plating	Silver
Diameter, in [mm]	0.025 [0.64]

Dielectric:

Type	PTFE
Diameter, in [mm]	0.147 [3.73]

Shield:

Number of	1
Material 1	Silver Plated Copper Braid
Diameter, in [mm]	0.176 [4.47]

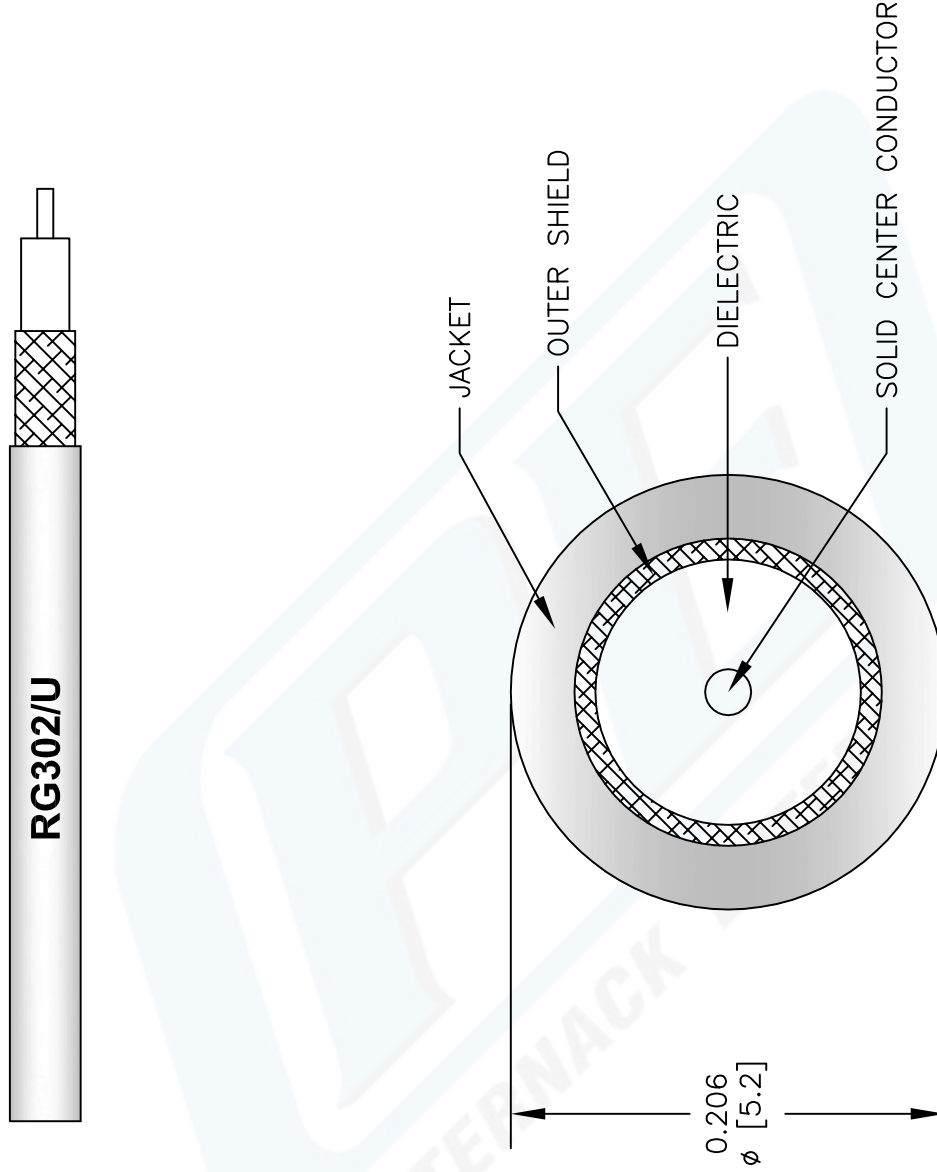
Click the following link (or enter part number in "SEARCH" on website) to obtain additional part information including price, inventory and certifications: [75 Ohm Flexible RG302 Coax Cable Single Shielded with Tan FEP Jacket RG302/U](#)

The information contained in this document is accurate to the best of our knowledge and representative of the part described herein. It may be necessary to make modifications to the part and/or the documentation of the part, in order to implement improvements. Pasternack reserves the right to make such changes as required. Unless otherwise stated, all specifications are nominal.



RG302/U CAD Drawing

75 Ohm Flexible RG302 Coax Cable Single Shielded with Tan FEP Jacket



NOTES:
 1. UNLESS OTHERWISE SPECIFIED ALL DIMENSIONS ARE NOMINAL.
 2. ALL SPECIFICATIONS ARE SUBJECT TO CHANGE WITHOUT NOTICE AT ANY TIME.
 3. DIMENSIONS ARE IN INCHES [mm].

DWG TITLE
RG302/U

REV. B FSCM NO. 53919

2233

SIZE A

SCALE N/A

CAD FILE 090712-B

PE PASTERNAK®
 Pasternack Enterprises, Inc.
 P.O. Box 16759 | Irvine | CA | 92623
 Phone: (949) 261-1920 | Fax: (949) 261-7451
 Website: www.pasternack.com | E-Mail: sales@pasternack.com